

Water Pump (Non-Automatic)

N-Series

HITACHI

200W/150W

- Big Capacity & Powerful Pumping
- Anticorrosion Pump Head
- RoHS Compliant
- Double Thermal Protector

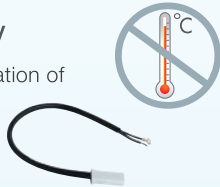
Thermal Relay

Automatically disengages the motor when the temperature rises and re-engage the motor when it is safe.



Water Temp Relay

For preventing from deformation of parts due to overheating.

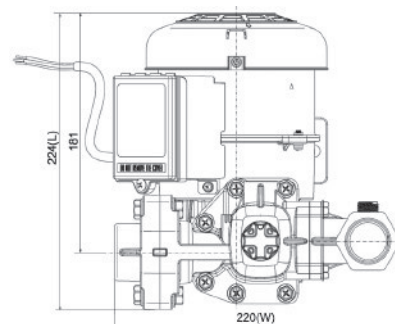


Specifications

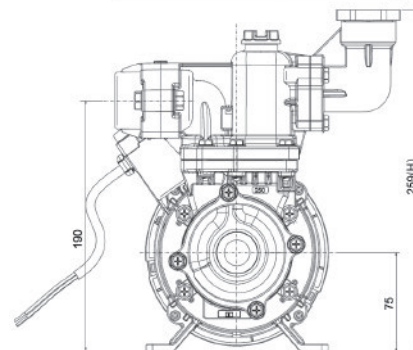
Model	W-P200NH	W-P150NH
Motor Watt (W)	200	150
Total Suction Head * (m)	9	9
Minimum Total Head *min (m)	30	30
Capacity Max. (L/min)	52	45
Suction Pipe (mm)	25 (1")	25 (1")
Discharge Pipe (mm)	25 (1")	25 (1")
Dimensions (WxLxH, mm)	220x224x259	220x224x259
Weight (Net/Gross, kg)	5.0/6.0	5.0/6.0

Dimensions (mm)

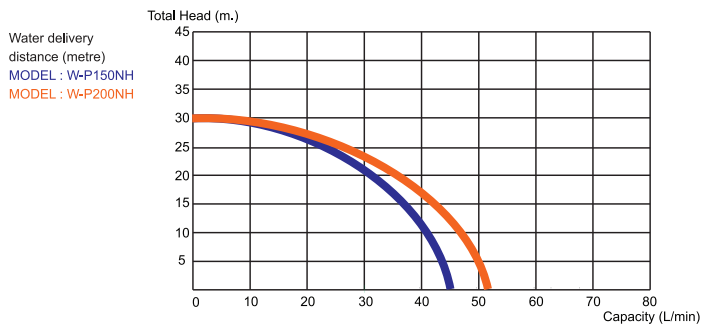
[Top]



[Front]



Performance Chart *Tested by Hitachi



©Specifications and designs are subject to change without notice. ©Color tone of actual products may differ from those shown in this catalog.