
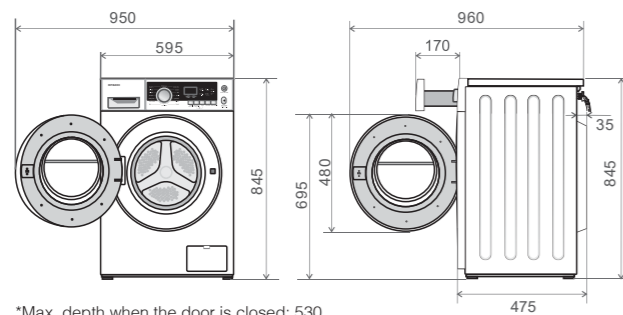


## SPECIFICATIONS

		BD-D80CVE
		
Washing Capacity (kg)		8
Drying Capacity (kg)		6
Inverter Control		•
Washing Function :	Water Level Sensor	•
Intelligent Sensor System	Water Temperature Sensor	•
	Load Sensor	•
	Revolution Sensor	•
	Foam Detection Sensor	•
Self Correction System		•
Spin Functions	Max. Spin Speed (r/min)	1,400
	Variable Spin Control	•
	Tangle-free Finish	•
Useful Functions	Memory	•
	Timer	•
Useful Functions : Option	Hot Wash (Water Temperature)	Cold, 20°C, 30°C, 40°C, 60°C, 90°C
	Spin Speed (r/min)	0, 400, 600, 800, 1000, 1200, 1400
	Prewash	•
	Extra Rinse	•
	Selectable Dry Level	•
Clean Functions	Tub Clean	90°C
	Door Clean	•
No. of Program		15
Program : Washing		Daily 45 Daily Wash Rapid 15 Delicate Duvet Cotton Eco Wool
Program : Washing and Drying		Cotton Mix Baby Care 1 Hour W/D
Program : Drying		Dry
Program : Others		Tub Clean Rinse & Spin Spin
Structure	Display	LED / Knob
	Detergent Drawer	All in One
	Softener Drawer	All in One
Reload		•
Auto Restart		•
Auto Power Off		•
Child Lock		•
Safety Lock		•
Energy Consumption (kWh/Cycle)	Washing	0.96
	Washing & Drying	5.44
Water Consumption (L/Cycle)	Washing	64
	Washing & Drying	152
Dimensions (WxHxD, mm)		595 x 845 x 475
Minimum Installation Dimensions (WxHxD, mm)		635 x 865 x 495
Body Colour		White
Weight (Net/Gross, kg)		65 / 68

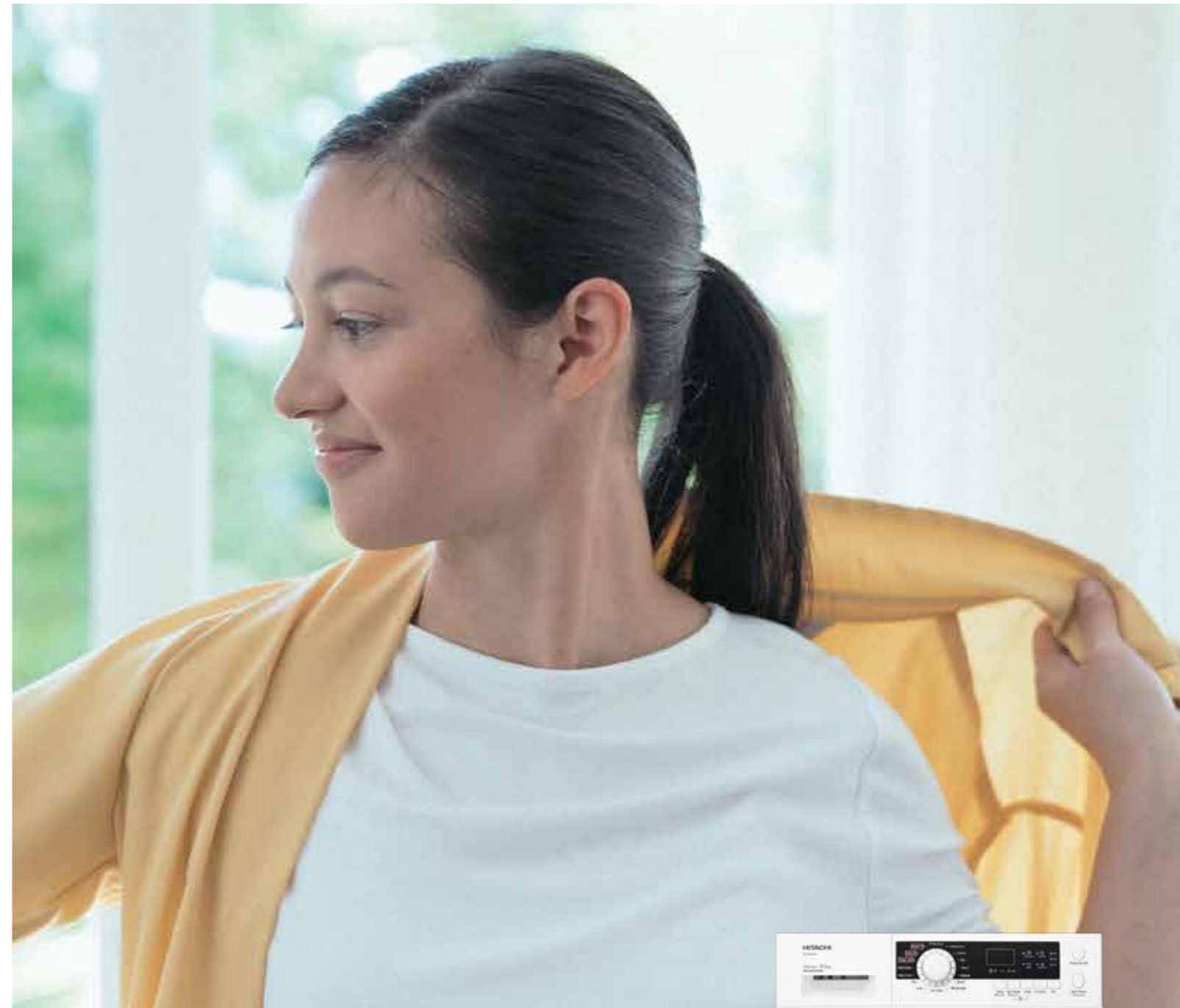
### Dimensions (mm)



# Washing Machine

## Washer and Dryer

# HITACHI



**INVERTER**

# Customise Your Wash for Your Favorite Clothes

## Hot Wash

Hygienic and spotless clean clothes with selectable water temperature



**Hot wash for special hygiene care laundry.**

For tea cloths, towels, table cloths and sheets.



**Efficiently wash away stubborn dirt and skin sebum. Reduce allergies.**

For undergarments and kids wear.



**Wash away the stubborn dirt and stains.**

For casual wear and synthetic wear.

## Selectable Dry Level

Select from the three options : High / Mid / Low depending on your laundry load & types.

	<p><b>High</b></p> <p>For heavy laundry e.g. jeans, thick towels or immediate wear.</p>
--	---

	<p><b>Medium</b></p> <p>For normal laundry e.g. cotton shirts, etc.</p>
--	---

	<p><b>Low</b></p> <p>For delicates and clothes that wrinkles easily e.g. silk, polyester, etc.</p>
--	--

## Prewash

Make your clothes more clean by Prewash heavily soiled items.



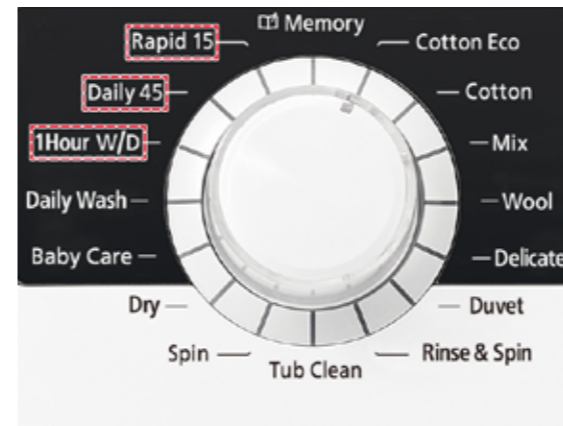
## Reload Function

When you want to add more items halfway through the wash cycle, all you do is to press the "Start / Pause" button for three seconds and add them to the drum, press it again to resume the washing. This is convenient when you find some items left after the cycle started.

\*Available before the water becomes high level and the temperature up to 60°C.

# Time Saver Programs

Equipped with three quick wash and dry programs.



## Rapid 15

Extra short 15-minutes washing program suitable for lightly soiled items or small loads.



## Daily 45

For washing lightly soiled items or small loads in a short 45 minutes.



## Daily 1 Hour W/D

For quickly washing and drying lightly soiled and small objects in 1 hour.

# Ways to Keep Your Washing Machine Clean

## Door Clean

During the spin cycle, foam or detergent residue that is left on the glass door and gasket can be thoroughly washed away with clean water. No need to clean them yourself.



## 90°C Tub Cleaning

Select the Tub Clean program and it cleans the inside tubs with 90°C hot water. The high temperature strong water flow washes the gap between inner and outer drums, keeping them clean and hygienic.



\*Images are for illustrative purposes only.

# Tangle-Free Finish

When the spin cycle ends, the drum repeatedly moves clockwise and counter clockwise, first making items fall off the drum wall and then untangling them. This unique Hitachi feature makes it much easier to remove clothes from the drum. Minimal Tangling means fewer wrinkles on clothes left in the drum for a long time after spin-drying. \*Tangle-Free Finish will not be activated with certain load capacities or settings.



# Easy Installation with Slim Depth Design

You can install easily even for kitchens with limited space, shallow kitchen counter or with plumbing behind with only 495mm depth.

